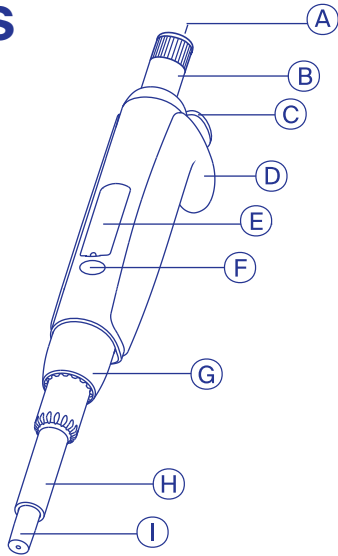


Quick Guide



Acura® manual 826XS



- A** Smartie cap **B** Plunger button **C** Ejector button
- D** Finger rest **E** Display window **F** Swift-set calibration system
- G** Ejector nut **H** Ejector screw **I** Nozzle

Related items	Packaging	Cat. No.
Twister™ universal work station for 6 single-channel pipettes <i>X = G - green / B - blue / Y - yellow / Q - grey / R - red / O - orange / W - white</i>	1 / pk	320.336X
Work station for 3 multi- or single-channel pipettes	1 / pk	320.340
Shelf pipette holder 332 for 2 instruments (transparent blue)	1 / pk	320.332
Protective calibration seal stickers	25 / bag	1.825.025
Smartie cap (assorted colours)	14 / bag	1.825.700

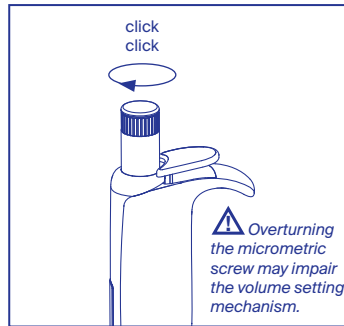


Package contents Pipette, silicone grease tube, tip samples, QC certificate, Quick Guide.

⚠ Safety precautions

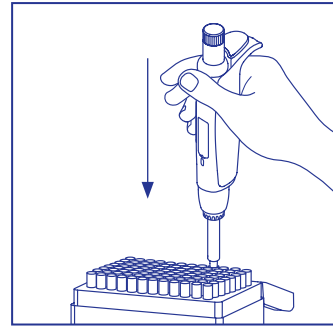
- Read carefully and observe manufacturer's instructions and guidelines.
- Refer to and follow regulations about handling of potentially hazardous reagents.
- Before use, check instrument for good working conditions.
- Do not use harsh chemicals (such as acetone) to clean instrument.
- Mind possible hand fatigue during serial pipetting and its medical consequences (such as repetitive strain injuries, RSI)

Step-by-step instructions



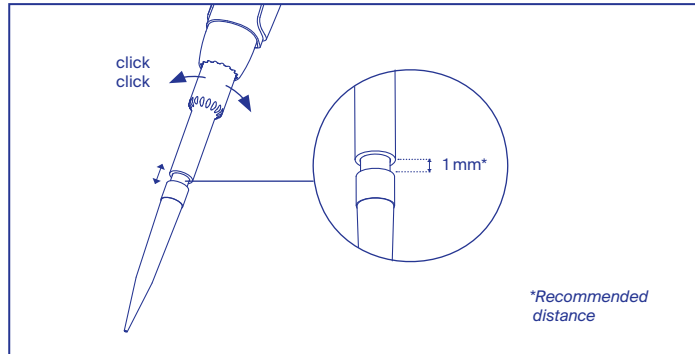
Volume setting

Rotate plunger button (B) clockwise to decrease, anti-clockwise to increase volume.



Tip fitting

Hold instrument vertically and fit tip by pressing. Do not rotate or hit repeatedly when fitting tip.



Tip ejector adjustment Justip™

Qualitix® tips are recommended but other brands can be fitted as well. Use Justip™ to move the tip ejector up or down to adapt to tips.

Most common troubleshooting

Observation	Possible cause	Solution
Tips not fitting the nozzle	Inadequate position of tip ejector	Adjust position of Justip™ tip ejector
	Inadequate tips	Use Qualitix® tips or other compatible tips
Plunger sticking or dragging	Dirty plunger	Disassemble and clean plunger, grease if necessary
Liquid not aspirated	Dry residues block pipette nozzle	Disassemble and clean

Scan to access operating instructions



EN / DE / FR



IT / ES / PT